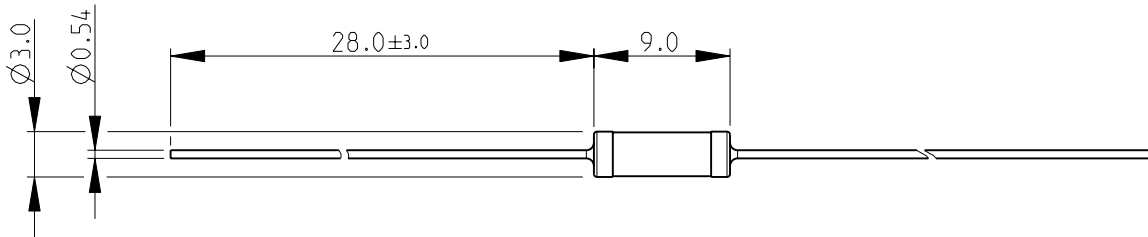
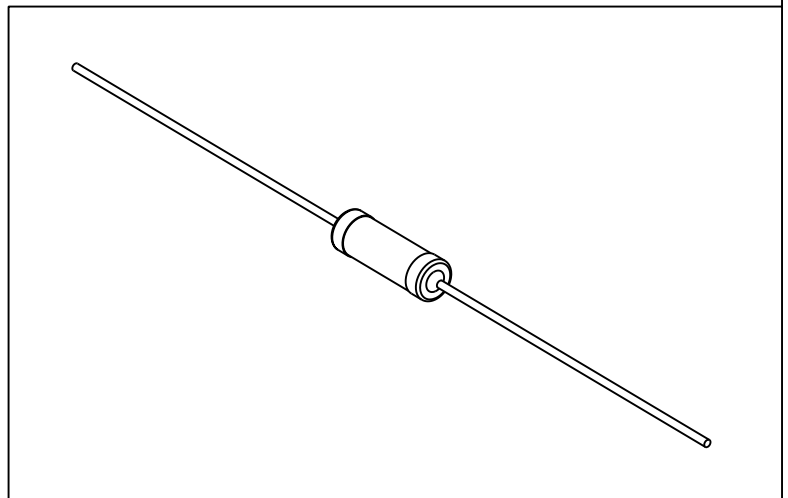


LOC	DIST	REVISIONS			
P	LTR	DESCRIPTION	DATE	DWN	APVD
E	B	BA1	REVISED PER ECO-11-005150	29MAR2011	RK HMR

FOR FURTHER INFORMATION SEE DATA SHEET FOR
CFR SERIES-CARBON FILM FIXED RESISTORS



RoHS Compliant




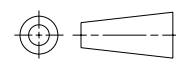
2008

RELEASED FOR PUBLICATION

ALL RIGHTS RESERVED.

THIS DRAWING IS UNPUBLISHED.

BY -
© COPYRIGHT 2008

DIMENSIONS: mm	DWN SUBHASH.M	20-Sep-08	MATERIAL	-	FINISH	-						
	CHK PRAKASH.S	20-Sep-08	 TE Connectivity									
TOLERANCES UNLESS OTHERWISE SPECIFIED:	APVD STEPHEN.P	20-Sep-08										
0 PLC ±0.2	PRODUCT SPEC	-	NAME CARBON FILM FIXED RESISTORS SERIES CFR50									
1 PLC ±0.1	APPLICATION SPEC	-										
2 PLC ±-	WEIGHT	-	SIZE	CAGE CODE	DRAWING NO	RESTRICTED TO						
3 PLC ±-		-	A 4	00779	©- 1623932	-						
4 PLC ±-			CUSTOMER DRAWING				SCALE	2:1	SHEET	1	OF	1
ANGLES ±5°												